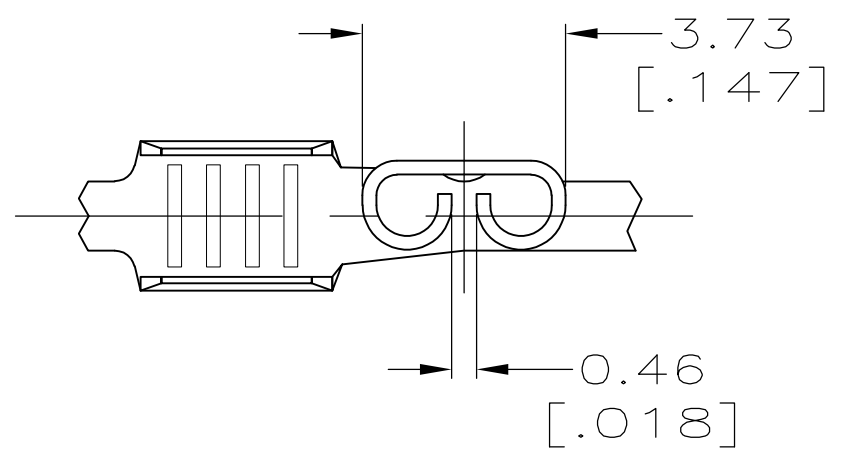
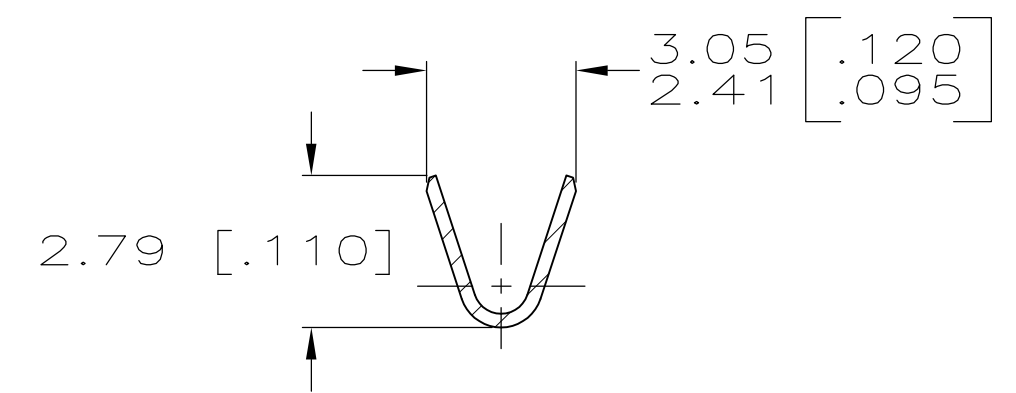
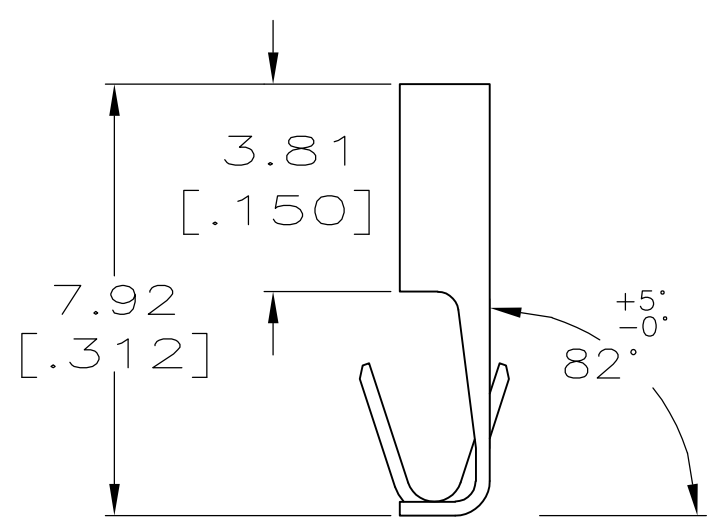
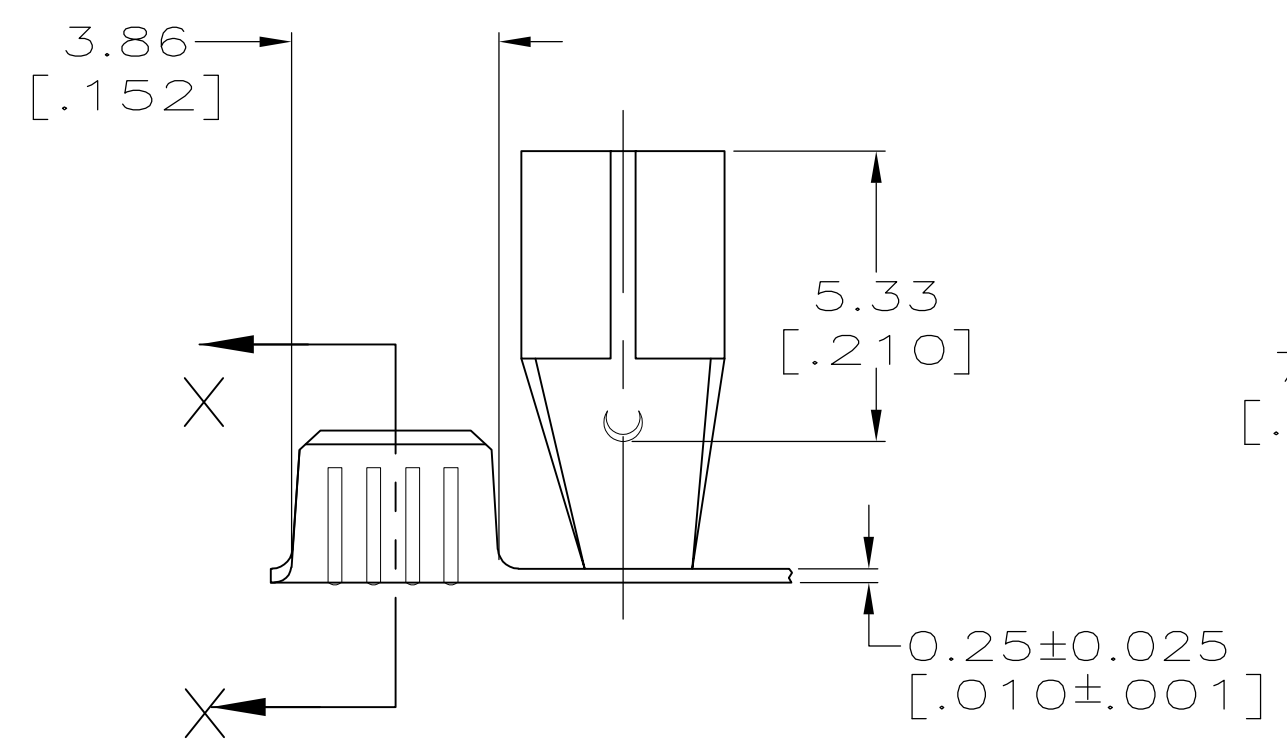


THIS DRAWING IS UNPUBLISHED. RELEASED FOR PUBLICATION  
 © COPYRIGHT - By - ALL RIGHTS RESERVED.

LOC	DIST	REVISIONS			
P	LTR	DESCRIPTION	DATE	DWN	APVD
AF	50	J	REVISED PER ECR-12-013459	27NOV2012	KH PD




- 1 CONTINUOUS STRIP ON REELS.
- 2 WIRE SIZE IS [#22-#16] AWG.
- 3 MATING TAB THK TO BE 0.508±0.025 [.020±.001].



SECTION X-X

62321-1  
PART NO.

THIS DRAWING IS A CONTROLLED DOCUMENT.		DWN JR RUTH 7/30/96	 TE Connectivity			
DIMENSIONS: mm [INCHES]		CHK P FORTNEY 7/30/96				
TOLERANCES UNLESS OTHERWISE SPECIFIED:		APVD P DESANTIS 7/30/96	NAME RECEPTACLE, FASTON, FLAG, 2.79 [.110] SERIES			
0 PLC ± - 1 PLC ± - 2 PLC ± 0.25 [.010] 3 PLC ± - 4 PLC ± - ANGLES ± -		PRODUCT SPEC -	RESTRICTED TO -			
MATERIAL BRASS		FINISH PRE-TIN	APPLICATION SPEC -	SIZE A3	CAGE CODE 00779	DRAWING NO C-62321
CUSTOMER DRAWING			WEIGHT -	SCALE 6:1	SHEET 1 OF 1	REV J